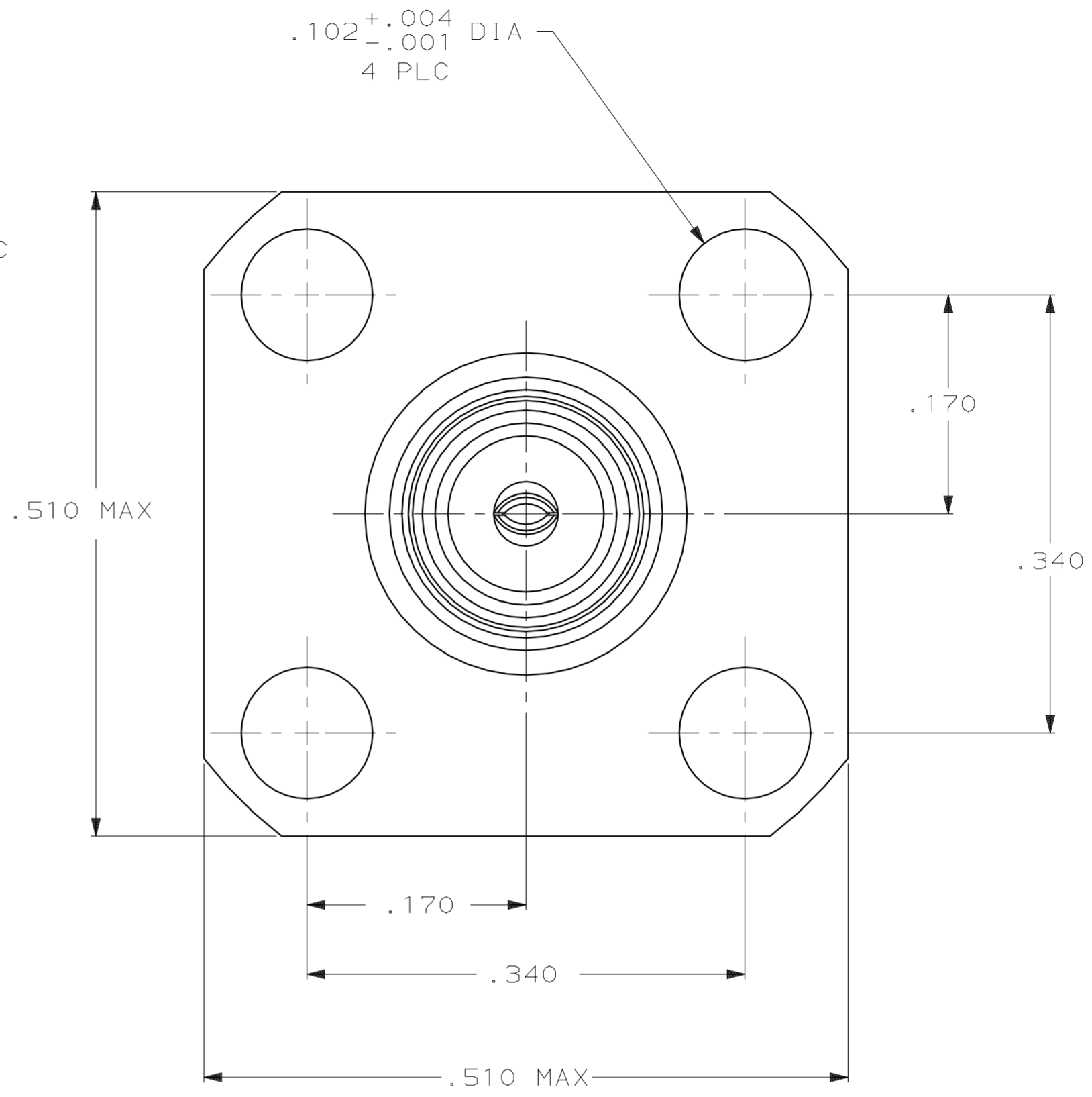
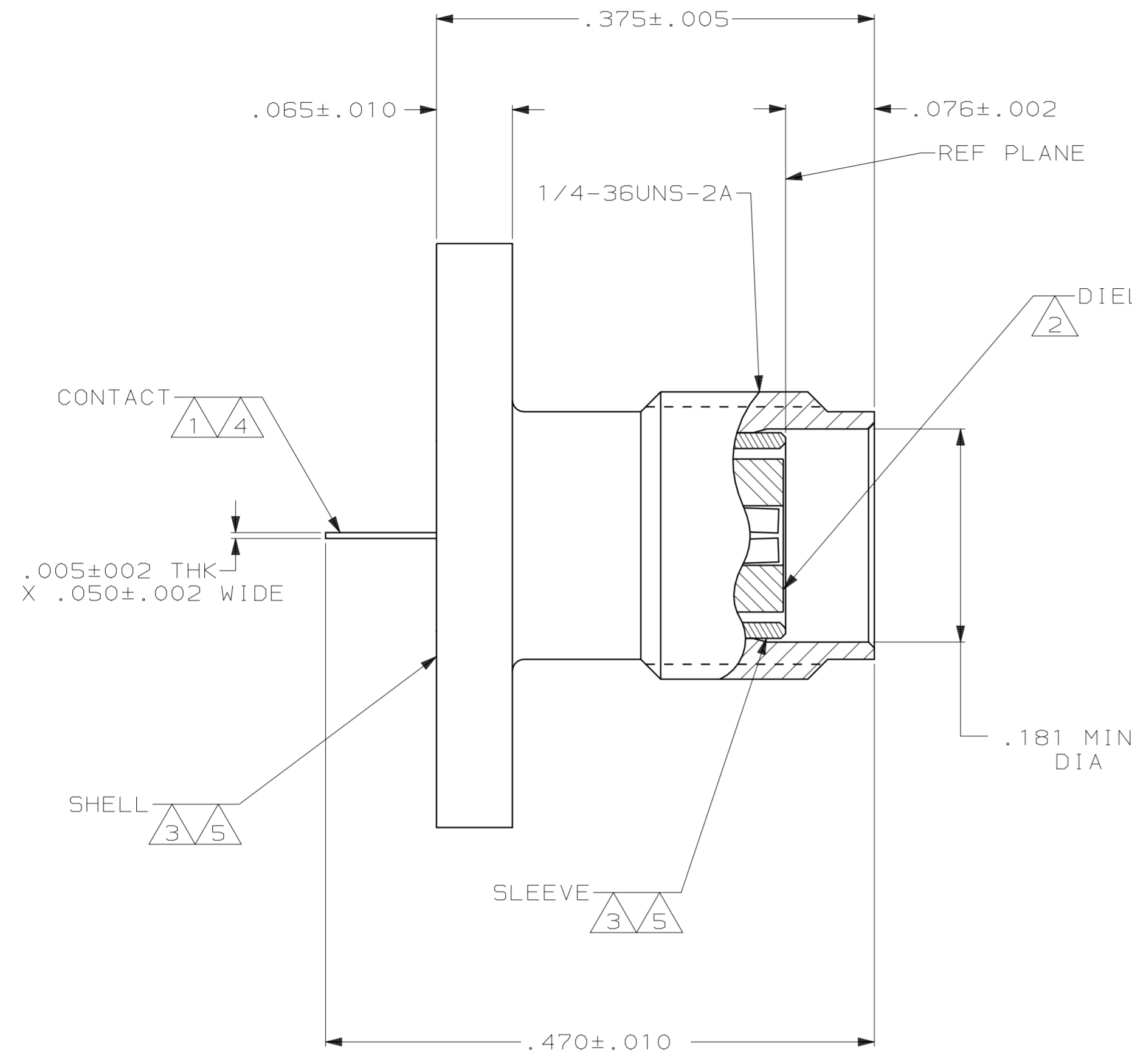


LOC	DIST	P	F	ZONE	LTR	DESCRIPTION	DATE	APPD
DF	XO				A	REV & REDRAWN ECN DF-6471	5-22-92	MEP



- ① BERYLLIUM COPPER PER ASTM-B-196
- ② PTFE PER ASTM-D-1710
- ③ STAINLESS STEEL PER ASTM-A-582
- ④ GOLD PL PER MIL-G-45204
- ⑤ PASSIVATION PER QQ-P-35

221972-1
 PART NUMBER

DO NOT SCALE PRINT. UNLESS SPECIFIED DIMENSIONS IN INCHES TOLERANCES ON :		DR 5-22-92 M.E.PASTAL		AMP AMP Incorporated Harrisburg, PA 17105-3608	
2 PLC DEC ± -		CHK 5-28-92 R.C.HOSLER		NAME	
3 PLC DEC ± .005		APPD 5-28-92 R.L.FISHER JR		ASSEMBLY, JACK, FLAT TAB LAUNCHER, SMA	
ANGLES ± -		APPD -			
MATERIAL		PRODUCT SPEC		SIZE	
① THRU ③		-		CAGE CODE	
FINISH		APPLICATION SPEC		DRAWING NO	
④ AND ⑤		-		221972	
		WEIGHT -		SCALE 10:1	
				SHEET 1 OF 1	